

Technical Information

No. FO 5294

Edition: 02/06 - subject to change

Substitutes: initial release

Status: valid

Short Arc Metal Halide Lamp

Baby SharXS[®] HTI[®] 400W/D5/60

■ Product description

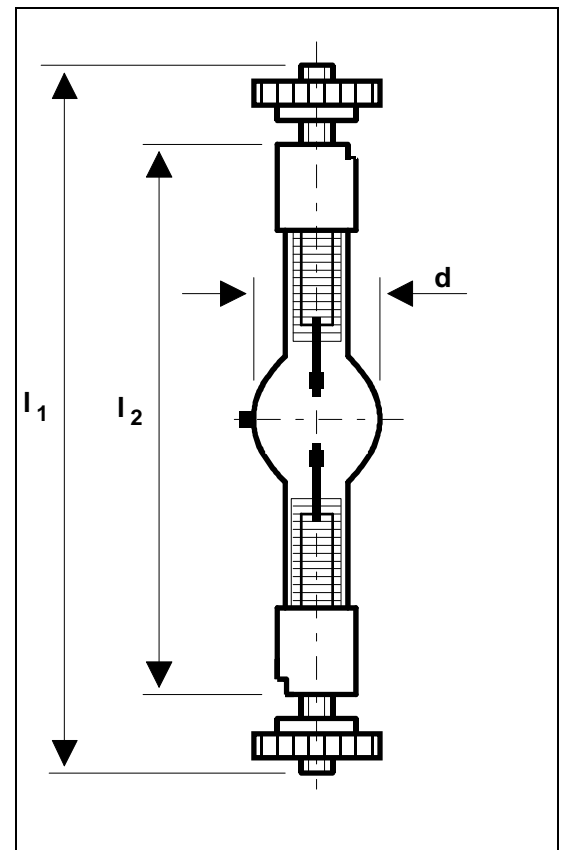
The OSRAM Baby SharXS[®] HTI[®] 400W/D5/60 is a very compact double-ended ('D') metal halide lamp of the new Baby SharXS[®] family. By the extra short arc of 5 mm ('5'), this lamp has a very high luminance and provides a high output for intelligent entertainment lighting. The "eXtreme Seal" technology enables higher pinch temperatures up to max. 450°C. Being double-ended (with pre-focus base) the lamp is suitable for hot restart. The lamp length of 93 mm (max.) only allows the design of fixtures in very compact size.



Baby SharXS

■ Technical data

Order reference		Baby SharXS [®] HTI [®] 400W/D5/60
Rated lamp wattage	W	400
Rated lamp voltage	V	95 (ECG) / 100 (ballast)
Rated lamp current	A	4.2 (ECG) / 4.8 (ballast)
Ignition voltage (cold/hot)	kV _s	4.5 / 20 (max. 25)
Luminous flux	lm	33.000
Color temperature	K	6,000
Color rendering index CRI		> 85
Light arc length (cold)	mm	5.5
Lamp length (overall) I ₁	mm	93
Lamp length (overall) I ₂	mm	70 ± 1
Diameter bulb d	mm	max. 18 (without pumping tip)
LCL a	mm	35 ± 1
Average service life	h	750
Base		SFC-11-4 with notch



■ Lamp operation

Maximum permissible pinch temperature °C 450 (measured on Moly-foil); with XS Technology

Cooling forced cooling / fan

Burning position any

The Baby SharXS[®] HTI[®] 400W/D5/60 can either be operated on standard ballasts or on electronic power supplies (ECG).

■ Manufacturers of igniters and control gear (not all officially approved by OSRAM)

Igniters: Hansmann ER 400; Mitronic ZGV 40-11
Ballasts: n.n.
ECGs: Schiederwerk EVG 5-57 (400/575W); Mitronic PE 400

Display/Optic

