

Technical Information

No. 4209

Edition: 08/05 - subject to change

Substitutes: Edition 12/92

Status: valid

Xenon Short Arc Lamp

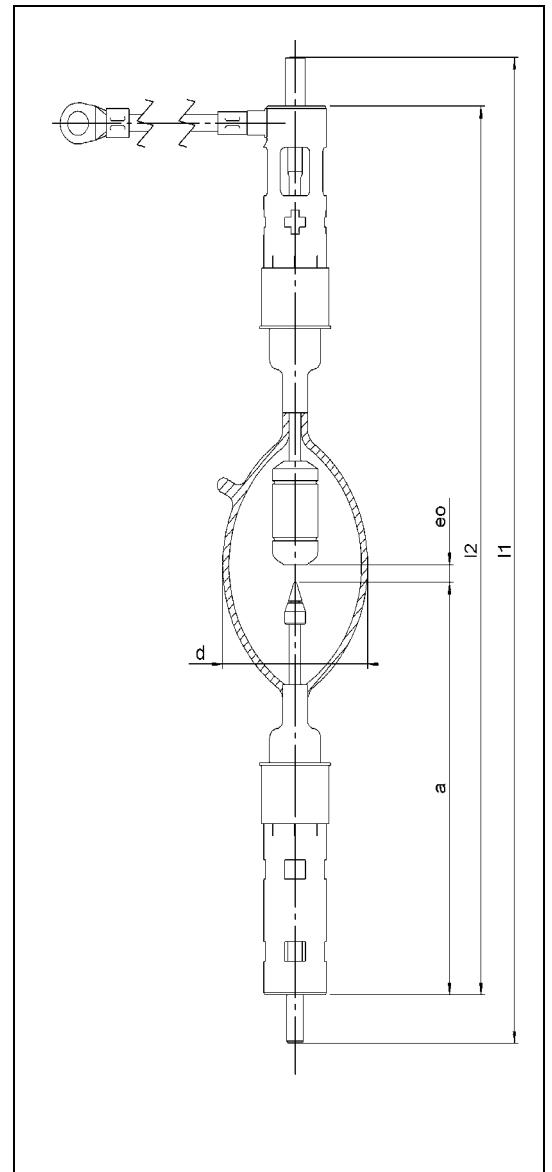
XBO[®] 7000 W/HS OFR

■ Product description

The OSRAM XBO[®] 7000 W/HS OFR belongs to the group of ozone-free double-ended Xenon short arc lamps and is especially designed for direct current operation. The lamp is suitable for horizontal burning position (H = horizontal) and excels with its compact dimensions (S = short)

■ Technical data

Order reference	XBO [®] 7000W/HS OFR
Rated lamp wattage	W 7000
Rated lamp voltage	V 42
Rated lamp current (=)	A 160
Current control range	A 110 - 165
Ignition voltage (cold / hot)	kV _s 44
Min. Open circuit voltage for cold/hot ignition	V 85 / 110
Luminous flux	lm 350000
Luminous intensity	cd 35000
Average luminance	cd/cm ² 100000
Luminous area	mm 2,6 x 9,0
Lamp length (overall) l ₁	mm 433
Lamp length l ₂	mm 393
Bulb diameter d ₁	mm 78
Diam. Cable Connector d ₂	mm 10 (inner)
LCL a	mm 170,5
Electrode gap e (cold)	mm 10,4
Average service life	h 900
Warranty	h 750
Base	• Cathode: SFa 30-8 • Anode: SFaX 30-9,5



■ Lamp operation

Maximum permissible base temperature	°C 230
Forced cooling required	m/s 6 = min. air flow velocity around discharge tube
Burning position	vertical and horizontal ± 15°; s 15 and p 15
Magnetic arc stabilization	required in horizontal burning position

■ Additional Information

Further Information, concerning XBO[®]-lamps and lighting demands on operating and control devices are available in the OSRAM-brochures "Technique and Applications - XBO Theatre-lamps" (order-nr.: 123W97D9/96) and „Guidelines for operating and control devices - Xenon short arc lamps Photo Optics" (order-nr.: 123T02D6/97).